

# CRX-5iA



Max. load capacity  
at wrist: 5kg



Max. reach  
(end of flange):  
994 mm

# FANUC

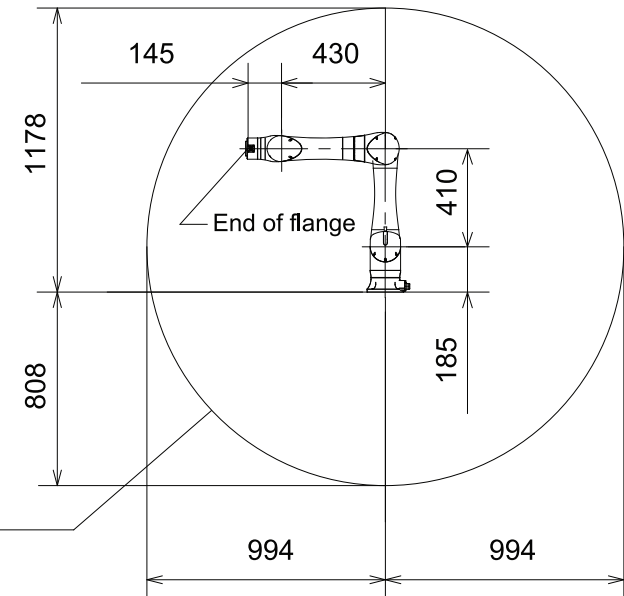
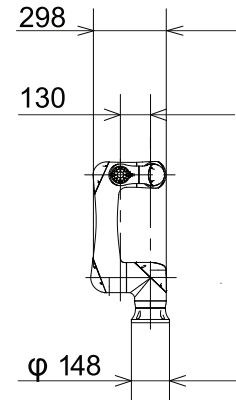
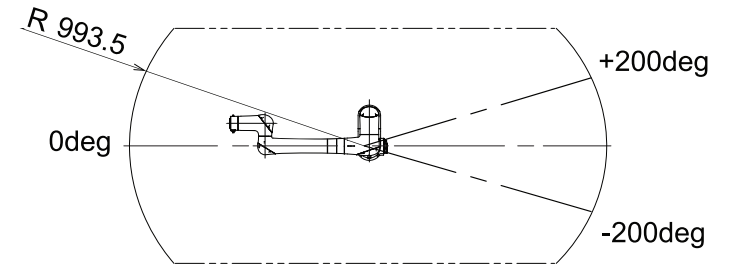
Robot			Max. load capacity at wrist (kg)	***Reach (mm)	Controlled axes	**Repeatability (mm)	Mechanical weight (kg)	Motion range (°)						*Maximum speed (°/s)		Allowable Wrist Load			Protection		
Series	Version	Type						J1	J2	J3	J4	J5	J6	Collaborative Mode (mm/sec)	High Speed Mode (mm/sec)	J4 Moment/ Inertia	J5 Moment/ Inertia	J6 Moment/ Inertia	Input power source (VAC)	Body standard	Wrist & J3 arm
CRX	iA	5	5	994	6	+0.03	25	400	360	635	380	360	450	1000	2000	19/ 0.77	15.4/ 0.5	6.7/ 0.1	100-120 200-240	IP67	IP67

● standard ○ on request - not available \* During short distance, it may not reach the maximum value stated. Please set motion speed according to risk assessment of system. \*\* Based on ISO9283 \*\*\*At the end of flange

CRX-5iA Standard model



CRX-5iA



Operating Space  
of End of Flange  
(J4 +90 deg.)

994

994