

M-410iC/110



Max. load capacity
at wrist: 110 kg



Max. reach:
2403 mm

FANUC

Robot			Max. load capacity at wrist (kg)	Reach (mm)	Controlled axes	Repeatability (mm)	Mechanical weight (kg)	Motion range (°)						Maximum speed (°/s)						J4 Moment/ Inertia	J5 Moment/ Inertia	J6 Moment/ Inertia	Average Power consumption (kW)	Protection	
Series	Version	Type						J1	J2	J3	J4	J5	J6	J1	J2	J3	J4	J5	J6					Body standard/optional	Wrist & J3 arm standard/optional
M-410	iC	110	110	2403	4	±0.05**	1030	370	125	140	720	-	-	145	130	140	420	-	-	53	-	-	3	IP54	IP54

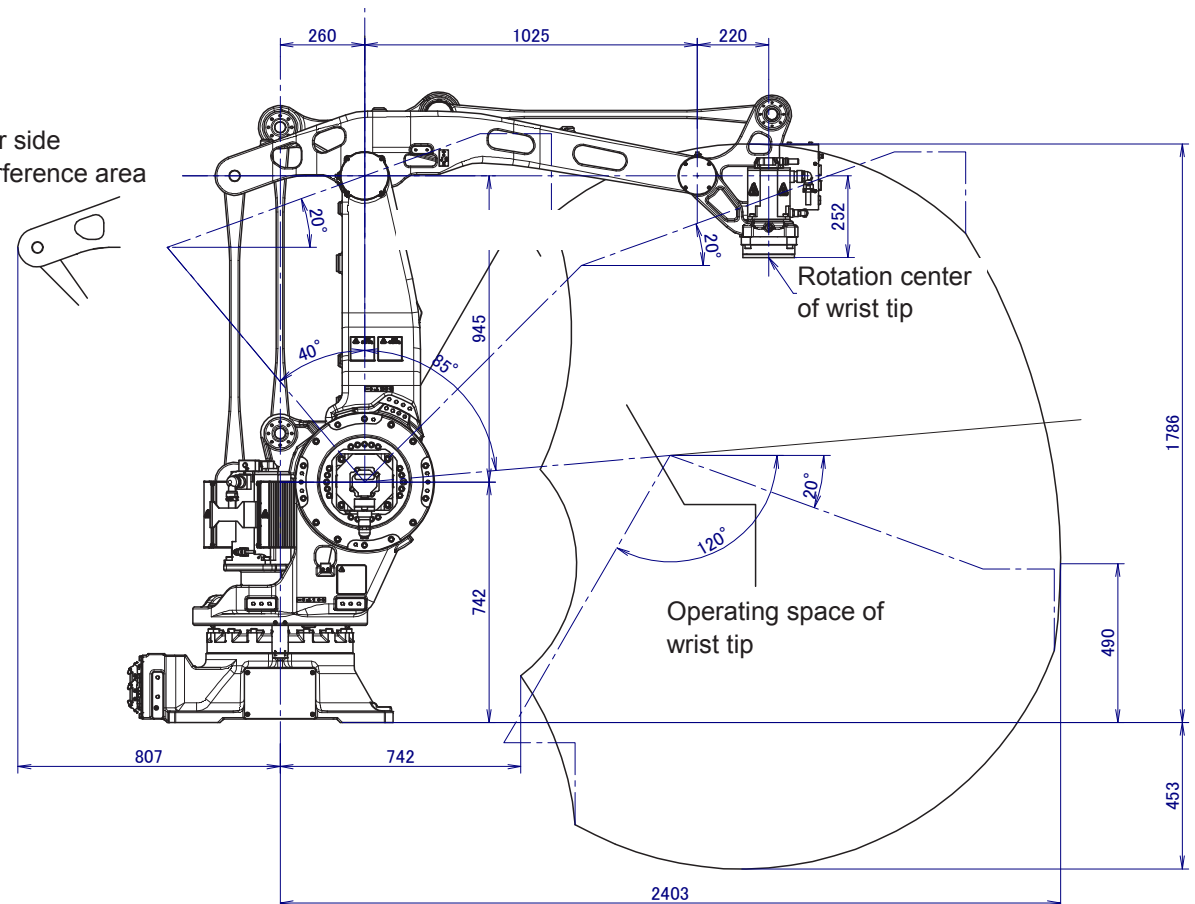
● standard ○ on request - not available ** Based on ISO9283

M-410iC/110

No hollow wrist



Rear side
Interference area



M-410iC/110