

P-40iA



Max. load capacity at wrist: 5 kg



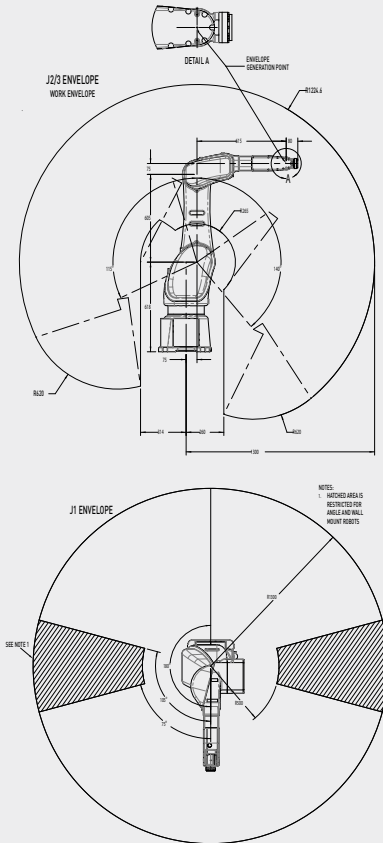
Max. reach: 1300 mm

FANUC

Design

The P-40iA is a mid-size painter robot with a payload capacity of 5kg.

Working range P-40iA

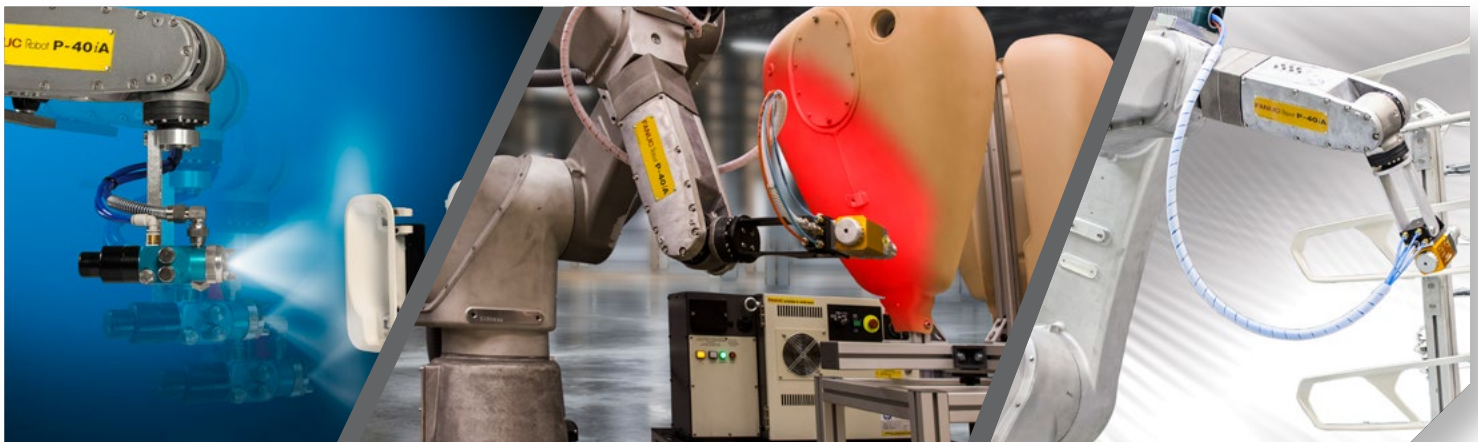


Features

- Floor, invert, angle and wall mounting permits versatility for robot location and allows for minimal spray booth size
- Standard FANUC Robotics purge control
- Designed and approved for use in hazardous locations
- FM and ATEX approvals
- The latest generation of paint robots utilizing proven design
- Balanced arm design provides excellent near reach and stroke length
- Flip-Over capability provides for a wide variety of work envelopes
- Single arm offset configuration
- The R-30iB Mate Plus controller features a compact design and utilizes FANUC's latest powerful technologies

Options

- One or four pneumatic three-way solenoid valves located in the purge cavity for gun triggering capability
- Mechanical unit & paint process equipment are monitored and protected by FANUC's Zero Down Time package
- ROBOGUIDE PaintPRO Offline 3D Programming



P-40iA



Max. load capacity
at wrist: 5 kg

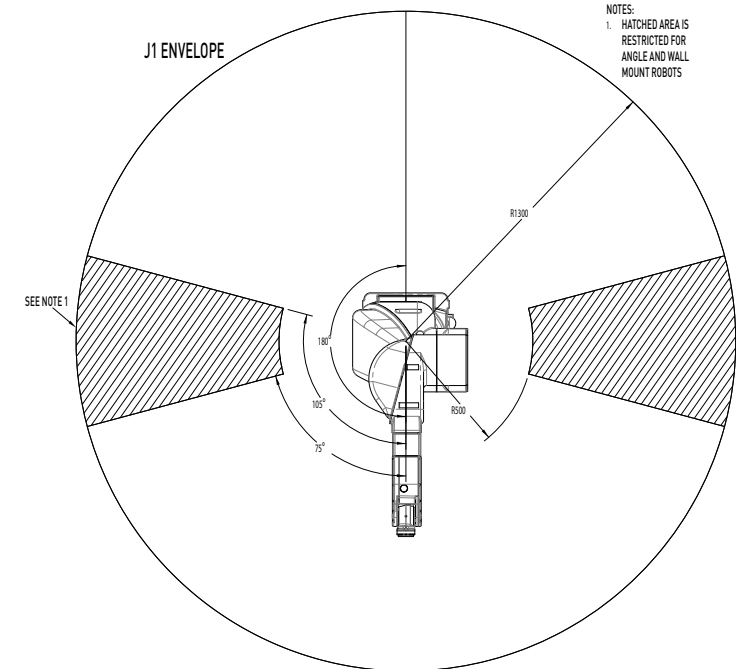
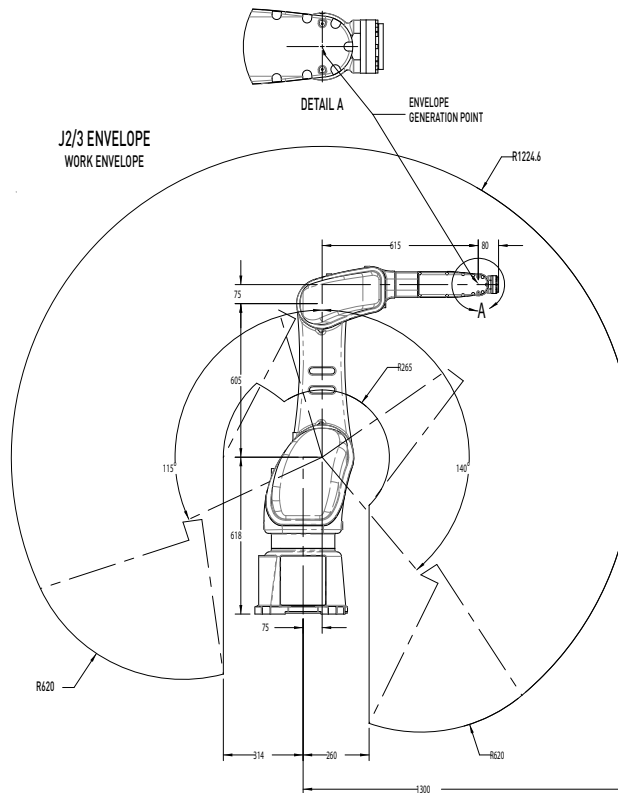


Max. reach:
1300 mm

FANUC

Robot			Max. load capacity at wrist (kg)	Reach (mm)	Controlled axes	Repeatability (mm)	Mechanical weight (kg)	Motion range (°)						Maximum speed (°/s)						Allowable load moment at wrist Allowable load inertia at wrist (Nm) / (kg m ²)			Input power source (VAC) (50-60 HZ)	Protection	
Series	Version	Type						J1	J2	J3	J4	J5	J6	J1	J2	J3	J4	J5	J6	J4	J5	J6		Body standard	Wrist
P-40	iA	-	5	1300	6	± 0.03	110	± 180	+140 -115	+283 -140	±190	±120	±360	220	190	240	450	450	720	11.9 .3	11.9 .3	6.7 .1	200 +10/-15%	IP 67	IP 67

P-40iA Paint robot



P-40iA